

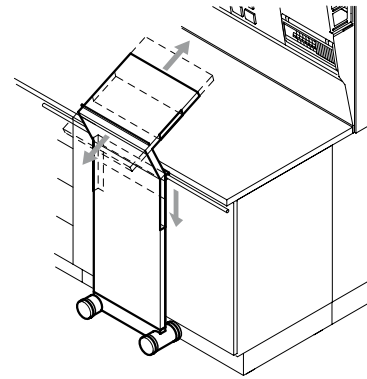
## Special tables

### Sliding element Sekretär

#### Intended use

- Inclined desk that can be moved on a laboratory work bench

#### Design



#### Technical data

| Dimensions                 |      |
|----------------------------|------|
| Width [mm]                 | 416  |
| Working height, bench [mm] | 900  |
| Max. overall height [mm]   | 1244 |

| Design characteristics |   |
|------------------------|---|
| Construction           | Sliding element on 4 wheels<br>Fastened to a sliding rail on the laboratory work bench with an adjustable writing pad |

| Material        |  |
|-----------------|--|
| Sliding element | Particle-board with melamine resin facing in walnut veneer |