

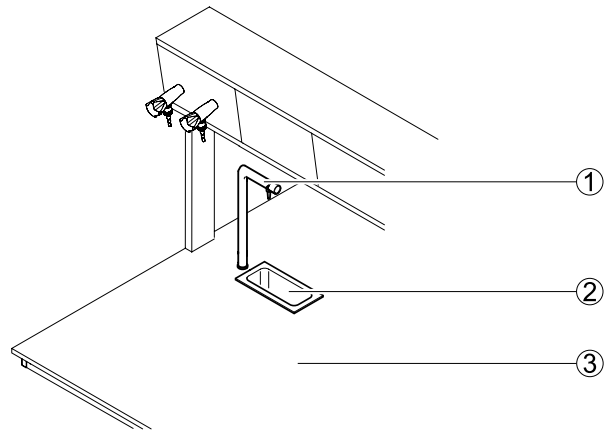
## Laboratory sinks

### Drip cup in worktop

#### Intended use

- Water supply and disposal
- For cleaning operating equipment
- Drip cup underneath water fittings to take up small amounts of water
- Not suitable for the disposal of chemicals

#### Design



- 1 Outlet  
2 Drip cup  
3 Worktop

#### Technical data

Dimensions	
Width x depth [mm]	295 x 145
Height [mm]	Approx. 125 to 140 depending on material
Internal sink dimensions width x depth x height [mm]	Approx. 250 x 100 x 150

Material, drip cup	Material, worktop
Stoneware	Stoneware, composite worktop
Polypropylene	Polypropylene, melamine resin facing, solid grade laminate, Trespa Toplab+
Stainless steel	Stainless steel, melamine resin facing, solid grade laminate, Trespa Toplab+
Epoxy	Epoxy

Design characteristics	
Construction	Installed in the worktop from the top or bottom

Sanitary technology	
Water connection	Permanent connection
Waste water connection	Permanent connection with siphon
Water fitting (tap)	Bench-mounted service outlets as an option