

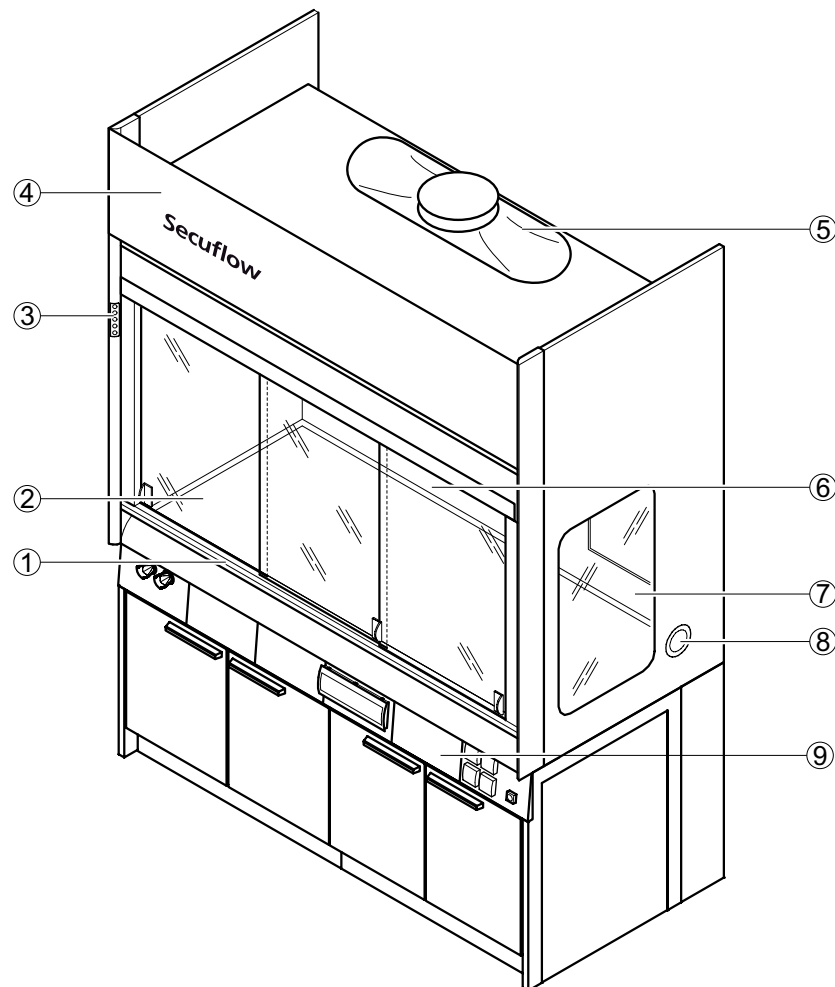
## Bench-mounted fume hoods

### Secuflow low ceiling bench-mounted fume hood

#### Intended use

- Protective device for the user, tested in acc. with EN 14175
- Extraction of fumes, aerosols and dust from the internal workspace to prevent dangerous amounts of pollutants from escaping into the laboratory
- Reduced risk of the formation of a high concentration of hazardous substances / hazardous explosive atmosphere in the internal workspace
- Protection from splashes of hazardous substances
- Protection from flying particles, bodies or parts escaping from the internal workspace
- General fume hoods constructed in acc. with EN 14175 are normally not suited for use with radioactive substances or microorganisms
- Not suitable for openly breaking down chemicals
- Active supportive flow technology (Secuflow technology) reduces the energy consumption while regulations and standards are observed
- Service outlets in the rear panel of the internal workspace
- Control units located horizontally on the service rail of the support unit
- Suitable for rooms with low ceiling height

#### Design

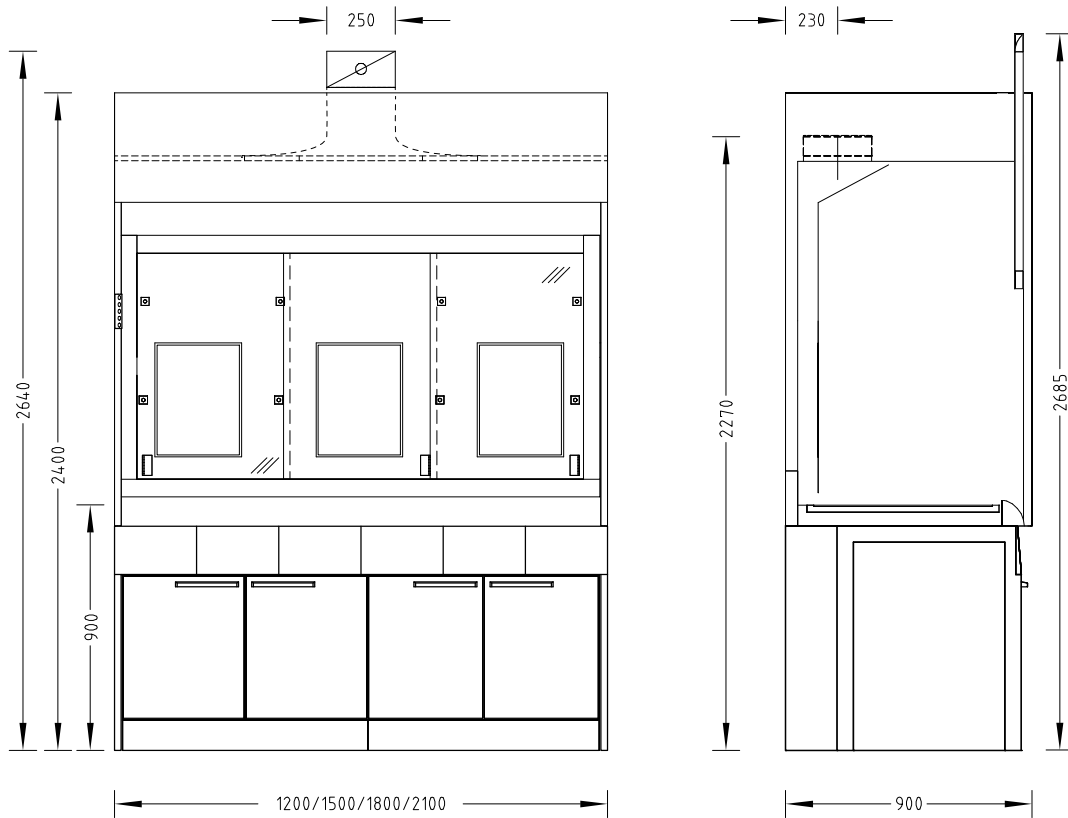


- 1 Sash with handle and horizontal sashes
- 2 Worktop
- 3 FAZ or AC control panel
- 4 Removable fascia panel
- 5 Exhaust hood
- 6 Baffle with service panel
- 7 Glass pane in the side wall
- 8 Material lock
- 9 Bench frame with push-in underbench units with support and service panels

## Bench-mounted fume hoods

### Secuflow low ceiling bench-mounted fume hood

#### Dimensional drawing



#### Technical data

Dimensions	1200	1500	1800	2100
Width [mm]	1200	1500	1800	2100
Depth [mm]	900			
Height [mm]	2400			
Clear width, internal workspace [mm]	1150	1450	1750	2050
Clear height, internal workspace [mm]	1250			
Working height [mm]	900			

Weight	1200	1500	1800	2100
Without installation [kg]	Approx. 220	Approx. 260	Approx. 300	Approx. 350

Design characteristics	1200	1500	1800	2100
Supporting construction	Self-supporting underbench units or H-frame with push-in underbench units			
Sash	2 horizontal sashes		3 horizontal sashes	
Side panel of the fume hood	Glass pane on the left and/or right as an option; not with stoneware internal lining Material lock on the left and/or right as an option			
Max. number of devices for scaffold points, ø 12 to 13 mm	9		12	
Max. load per scaffold point with scaffold rod length 300 mm [kg]	5			
Service modules	2		3	

# Bench-mounted fume hoods

## Secuflow low ceiling bench-mounted fume hood

Electrics	
Electrical supply	External sockets in service panels Internal sockets in service modules
Fuse box	Optional
Sash controller SC	Optional

Sanitary technology	
Sanitary supply	Service modules with take-off valves for vacuum, gases and/or waters and integrated sink (PP) as an option

Ventilation technology	1200	1500	1800	2100
Minimum air exchange rate [m <sup>3</sup> /h] <sup>1)</sup>	330	410	490	570
Function display	FAZ			
Airflow damper, constant	Airflow-Controller AC			
Airflow damper, variable	Airflow-Controller AC			
Detector of sash position	Only variable with Airflow-Controller AC			
Connection height [mm] for FAZ with extract air hood Ø 250 mm	2270			
Connection height [mm] for FAZ with extract air hood Ø 315 mm <sup>2)</sup>	2270			
Connection height [mm] for AC with extract air hood Ø 250 mm	2640			
Connection height [mm] for AC with extract air hood Ø 315 mm <sup>2)</sup>	2610			
Underbench exhaust	As an option, depending on requirements and regulations			

<sup>1)</sup> All air volume specifications refer to an opening height of the sash window of 500 mm (test opening in acc. with EN 14175) and the maximum tracer gas values recommended by German Standard (BG Chemie). Shown rates correspond to a face velocity of 0.15 m/s. For other design face velocities, please contact your Waldner sales representative.

<sup>2)</sup> In order to minimise noise and pressure losses, for air volumes >1000 m<sup>3</sup>/h Waldner recommends using the extract air hood with a connection diameter of 315 mm.

A maximum admission pressure of 600 Pa should not be exceeded in the case of fume hoods with airflow dampers.

The indicated minimum air exchange rates were determined under specified test conditions in acc. with EN 14175-3. These minimum air exchange rates must be adapted when dimensioning the ventilation system.

If on-site extract air monitoring systems or airflow dampers are used, the required air volumes may be different. The operating limitations must be agreed upon with Waldner.

Material/surface	
Worktop	Stoneware Polypropylene Epoxy Stainless steel
Internal lining	Melamine resin facing Solid grade laminate Stoneware